

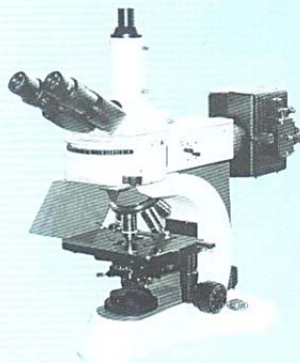
Optoplan Research & Fluorescence Microscope



OPTOPLAN-N 2KT
TRINOCULAR MICROSCOPE



OPTOPLAN-N -TRF (WITH LCD)
TRINOCULAR FLUORESCENCE
MICROSCOPE



OPTOPLAN-N-TRF UPGRADED
FLUORESCENCE MICROSCOPE

“OPTO PLAN-N” UPGRADED TRINOCULAR MICROSCOPE

OPTO-PLAN-N (I) RESEARCH TRINOCULAR MICROSCOPE: A most modern design concept in microscopy incorporating high grade infinity corrected plan optical system with anti fungus hard coated optics. Supplied with the high transmission, multi layer coated. **Compensation free** Sidentopf Trinocular Head and Ultra Wide Field Eyepiece WF 10X (F.NO. 22) & Infinity Corrected Super Plan objectives PL ∞ 4X, PL ∞ 10X, PL ∞ 40X, PL ∞ 100X, Quintuple Nosepiece, High Contrast Illumination through 12V-50W (CE Approved).

CODE: OPT-4003

OPTO-PLAN-N (II) RESEARCH TRINOCULAR MICROSCOPE Same as above but supplied with 100W Halogen Lamp for transmitted illumination and Sextuple Nosepiece, reverse mounted on ball bearing guides.

CODE: OPT-4004

OPTOPLAN, SERIES, DIGITAL RESEARCH MICROSCOPE: “GIPPON-GETNER” OPTOPLAN Series Research, Fluorescence and multi viewing microscopes can be upgraded to incorporate Digital Auto Camera with built in 8" TFT Screen and following technical features:

- High Resolutions, Microscope auto camera system 5 Mega Pixels, with 8" TFT Screen
- Auto Exposure with Data Mode(year, month, day, hour & minute) with Video & AV output(NTSC/PAL)
- SD slot with 4GB Memory card to store video & still pictures
- Computer Compatible, supplied with “GIPPON”, Navigation software and calibration kit according to Japanese Industrial Standards(JIS).
- Supplied with Battery backup and C.C adpoter to operate on main. AC 220/240 Volts.
- Infinity Corrected Anti Fungus optics and Magnification Range as detailed in the respective Microscope model.
- Supplied with working and calibration manual.
- Unconditional warranty against any manufacturing defects and free replacement for one year

Extra Charges to be added to the price of respective model of microscope

OPTOPLAN-N(I) ACCESSORIES

LP-55, LIGHT POINTER: An attachable light pointer with co-axial control for smooth movement and variable light intensity control.

CODE:OPT-4045

“OPTO PLAN-N-TRF” TRINOCULAR FLUORESCENCE MICROSCOPE INFINITY PLAN: Supplied with EPI Fluorescence attachment with HBO 100W high pressure mercury vapour lamp and high grade condenser system. The EPI fluorescence attachment is supplied with two filters blocks B(Blue) G(Green) having their own set of excitation filter, dichromic mirror and barrier filter. Additional filter block UV(Ultra Violet) & V(Violet) filter blocks is supplied optionally. Accordingly the microscope with above four filters blocks is suitable for all excitation techniques. Optical System (Plan FLUOR, Anti Fungus): Supplied with Infinity Corrected PLAN FLUOR optics PLF 4X, PLF 10X, PLF40X and PLF100X objectives. Plan FLOUR objectives are specially designed for Fluorescence Microscopy and high eye point compensating Eyepiece WF10x paired (F.NO 22).

CODE: OPT-4005

FB-44-N, SPARE FILTER BLOCK, Filter Block V

CODE:OPN- 1201

FB-44-NU, SPARE FILTER BLOCK, Filter Block UV

CODE:OPN- 1201