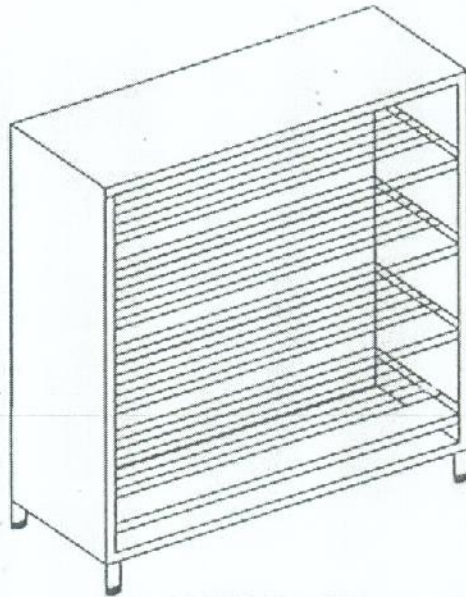




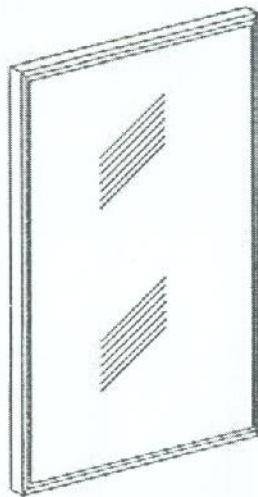
LAB ENTERPRISE

(ISO : 9001:2008 CERTIFIED)

DEALER, MANUFACTURER, IMPORTER & EXPORTERS FOR SCIENTIFIC INSTRUMENTS
AND LABORATORY EQUIPMENTS FOR MEDICAL, RESEARCH AND INDUSTRY



SS SHOE RACK



SS MIRROR

REGD. OFFICE : 30/237, DADABHAI ROAD, VILE PARLE (W), MUMBAI - 400 056.

MOB : 9769803350, TELEFAX : 2671 5001, E-MAIL : labentp@gmail.com

FACTORY : GALA NO.106, PARMAR TECHNO CENTRE,
PHASE-II, VASAI (EAST), THANE.