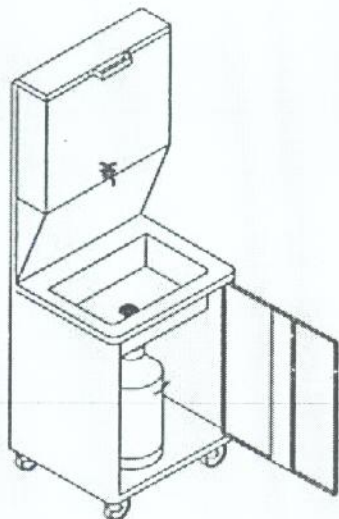




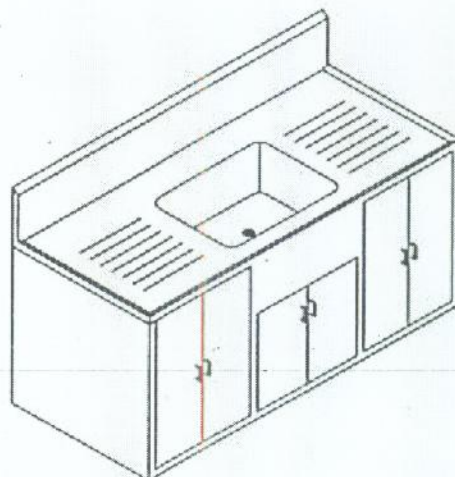
LAB ENTERPRISE

(ISO : 9001:2008 CERTIFIED)

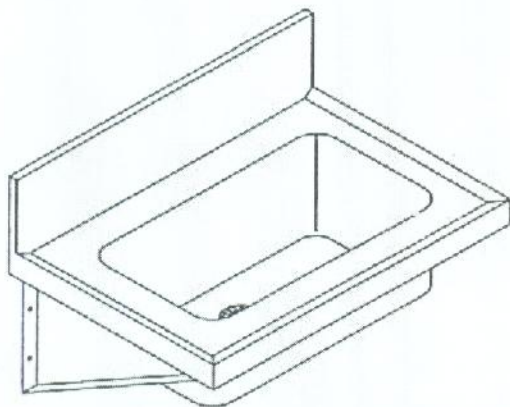
DEALER, MANUFACTURER, IMPORTER & EXPORTERS FOR SCIENTIFIC INSTRUMENTS
AND LABORATORY EQUIPMENTS FOR MEDICAL, RESEARCH AND INDUSTRY



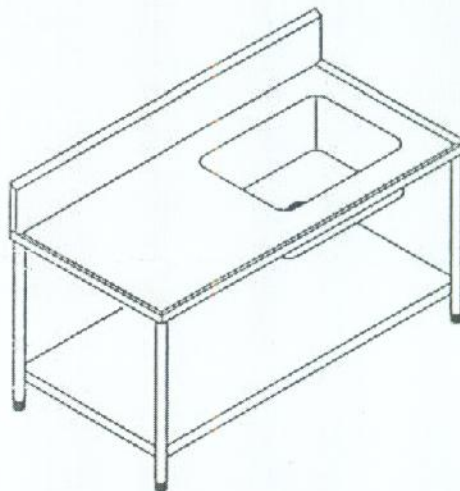
SS WASH BASIN WITH CONTAINER



SS SINK UNIT WITH CABINET



SS WALL MOUNTED WASH BASIN



SS SINK TABLE

REGD. OFFICE : 30/237, DADABHAI ROAD, VILE PARLE (W), MUMBAI - 400 056.

MOB : 9769803350, TELEFAX : 2671 5001, E-MAIL : labentp@gmail.com

FACTORY : GALA NO.106, PARMAR TECHNO CENTRE,
PHASE-II, VASAI (EAST), THANE.-